



Conmeq mini-loaders: Efficient, flexible and intuitive

From construction to paving; from demolition to trenching: mini-loaders make physical work as easy as possible. These powerful machines get any job done with lasting results. Multifunctional in the broadest sense of the word, because with over 70 (!) suitable attachments, the possibilities are endless. Efficient, flexible and intuitive to use: this is how Conmeq mini-loaders make a difference to any project.



7 Reasons

Why you should choose Conmeq loaders:



Strong

Load capacity up to 500 kg



Smooth

Very precise steering and pivoting



Efficient

Speed up to 11 km/h



Multifunctional

Numerous applications from up to 70 attachments



Ergonomic design

User-friendly design



Quiet

No significant noise, comfortable to work



Sustainable

Powerful lithium batteries that last a day with ease



AS15

Specifications

Aandrijving

Type	AC PM synchronous motors on each wheel
Total power [kW]	10,8
Speed [km/h]	11
Brakes	Regenerative and parking brake

Hydraulics

Power [kW]	5,2
Pressure [bar]	180
Speed [rpm]	0 - 3000
Flow rate [L/min]	24
Oil capacity [L]	25

Battery

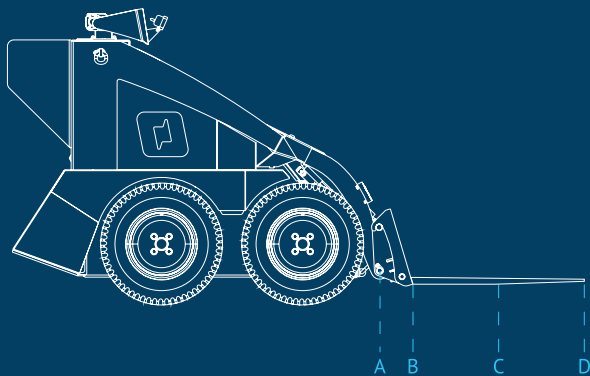
Voltage [V]	48
Capacity (3) [kWh]	8,1
Capacity (5) [kWh]	13,5
Capacity (7) [kWh]	18,9
Operation hours* [hour]	8-10

* assuming 5 batteries

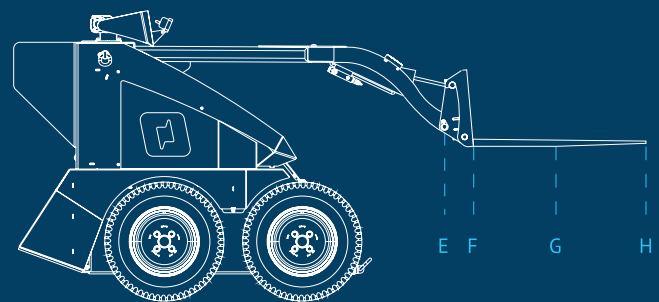
Capacity

Maximum lift [Kg]	500
Pushing force [Kg]	715 <i>provisional</i>

Tipping
load* **



A	-	Kg
B	745	Kg
C	500	Kg
D	440	Kg



E	660	Kg
F	500	Kg
G	270	Kg
H	255	Kg

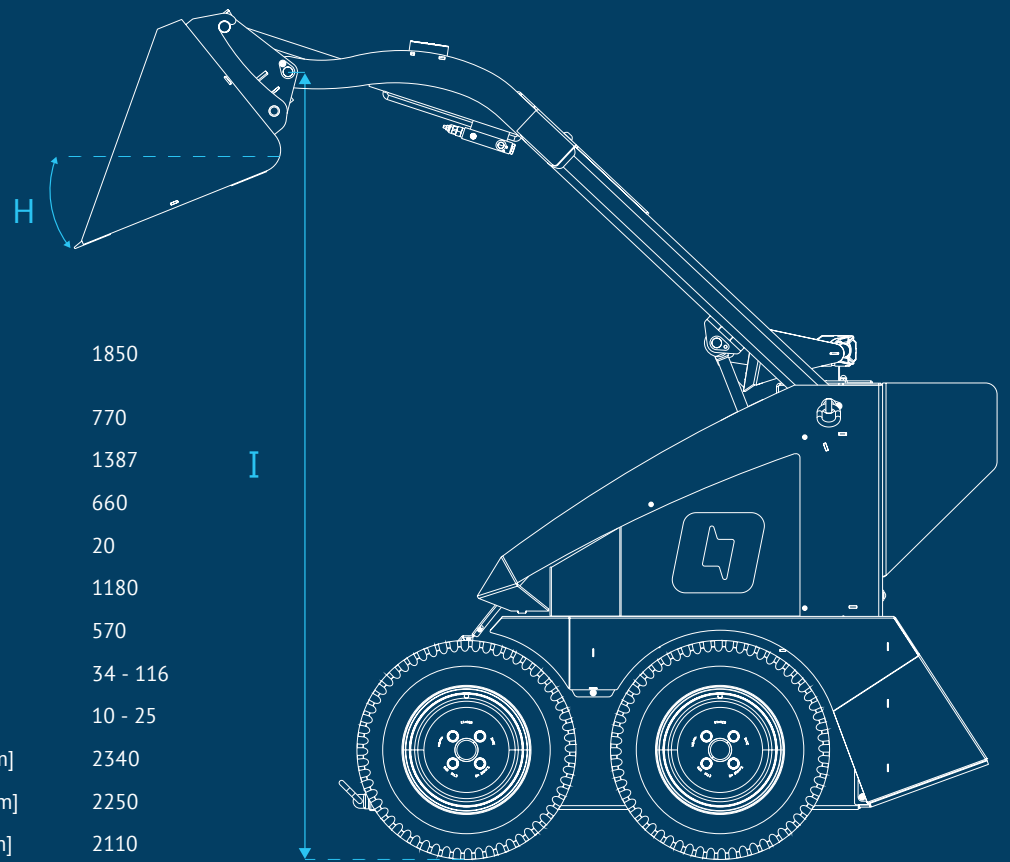
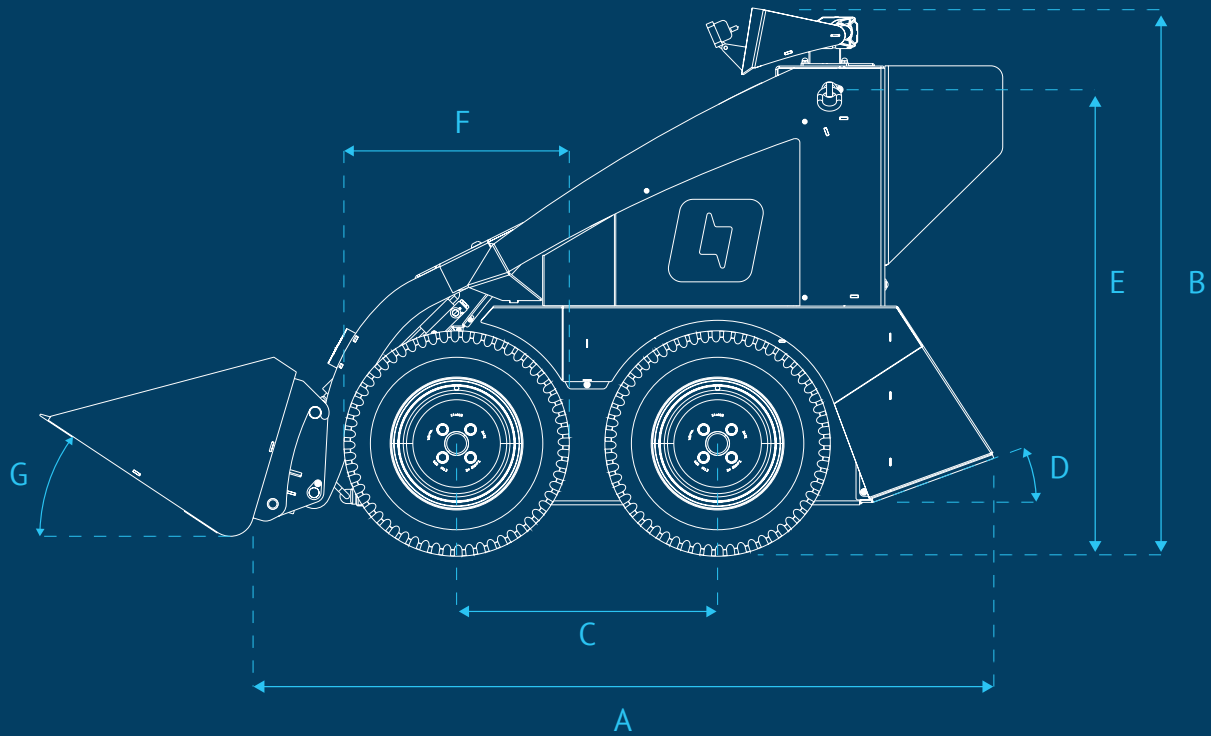
* incl. pallet forks 800 mm / 45 kg

** incl. operator ± 70 kg



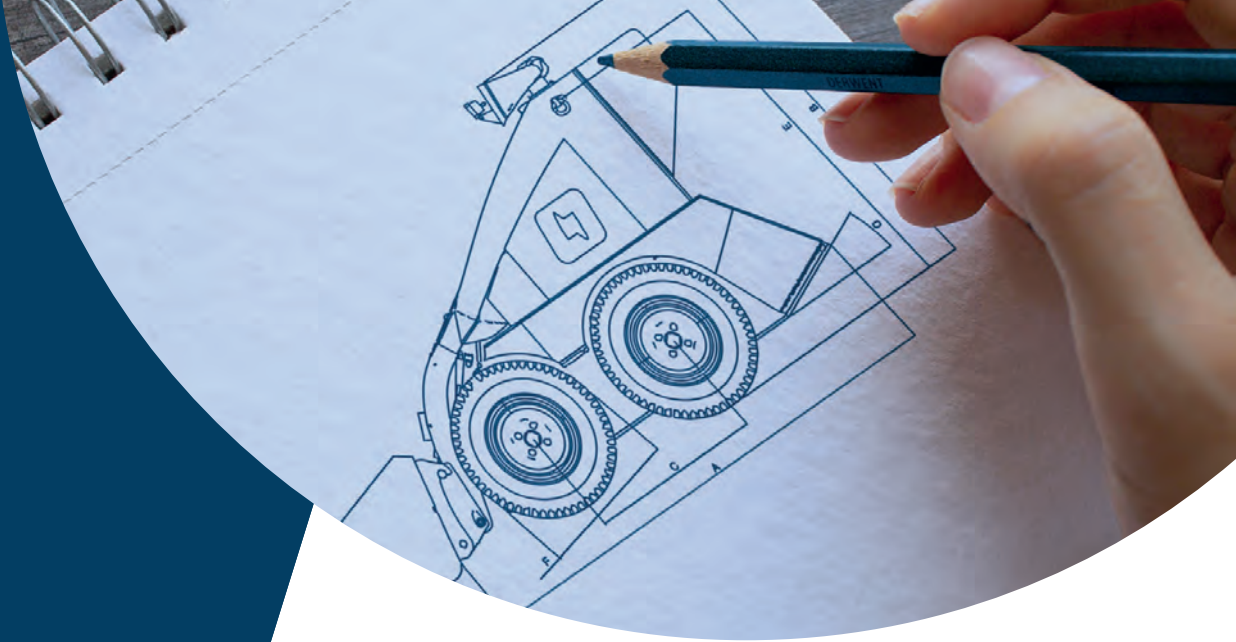
AS15

Dimensions



A	Machine length [mm] <i>excluding attachment</i>	1850
–	Machine width * [mm]	770
B	Machine height * [mm]	1387
C	Wheelbase [mm]	660
D	Incline angle [°]	20
E	Pivot height boom [mm]	1180
F	Wheel diameter [mm]	570
G	Back angle min/max [°]	34 - 116
H	Tipping angle min/max [°]	10 - 25
I	Pivot height coupling plate [mm]	2340
–	Lift height with pallet forks [mm]	2250
–	Lift height with soil bucket [mm]	2110
–	Weight [Kg] <i>excluding attachment</i>	900

* *with standard tires*



Product development

from scratch

Innovation requires an integral view: everything is important. We are thorough in everything we do, and pay attention to every detail. We use this information to fuel product development, and take nothing for granted. Controls, design, safety, lighting, ease of use, maintenance: everything is scrutinised creatively. Because this gives us space to really do things differently. An original idea only gains value once it provides added value in practice. That's why we are vigorous in our testing and continuous developing. This is how we are able to offer products that have been proven to be effective, and continue to surprise our customers.



Want to know more about the possibilities?
Check our website www.conmeq.com for more info

Conmeq



+31 (0)85 06 420 40



info@conmeq.com



Luchthavenweg 4
6021 PX Budel
Nederland